



# ezar

FOR US, SUCCESS IS NOT AN EVENT  
BUT SIMPLY, A DAILY ROUTINE!

ENGINEERING & TECHNICAL SERVICES



[WWW.EZAR-LTD.COM](http://WWW.EZAR-LTD.COM)



**ezar**  
**ENGINEERING**  
**TECHNICAL SERVICES**

**FOR US, SUCCESS IS NOT AN EVENT  
BUT SIMPLY, A DAILY ROUTINE!**

# Our commitment

**T**o assume full operational responsibility, share our knowledge and work collaboratively with clients to deliver maximum availability and reliability, process integrity, increased safety and sustainability, and reduced life cycle cost and risk.

**W**e have the technical expertise to tackle complex challenges and the skills to work safely, efficiently and with a strong flexibility.

**W**e are highly trained personnel for all activities related to engineering, procurement and construction services including teams for HSE and project management.

# Contents

<b>EZAR at a Glance</b> .....	2
<b>EZAR Today</b> .....	3
<b>Scope of Services</b>	
<b>Project Management Services</b> .....	4
<b>Engineering Services</b> .....	6
<b>Procurement Services</b> .....	9
<b>Construction Services</b> .....	11
<b>Maintenance Services</b> .....	13
<b>Manpower Supply Services</b> .....	15
<b>Our People</b> .....	16
<b>EZAR in the World</b> .....	17

FOR US, SUCCESS IS NOT AN EVENT  
BUT SIMPLY, A DAILY ROUTINE!





# EZAR at a Glance

**EZAR IS WHERE CUSTOMERS FIND LOYAL, FLEXIBLE AND INNOVATIVE EPC SERVICES**

**EZAR Ltd.** is an EPC services provider operating in Oil & Gas, Industry, Renewable Energy, Mining and Water Treatment sectors and all related fields, well-known for its reliability, flexibility and strong execution track record.

**FOR US, SUCCESS IS NOT AN EVENT BUT SIMPLY, A DAILY ROUTINE!**

## OUR Activities

- Project management services
- Engineering services
- Procurement services
- Construction services
- Maintenance services
- Manpower supply services
- Inspection services
- multidisciplinary engineering
- commissioning

## OUR Strengths

- Experience in oil and gas industry
- Fast-track project expertise
- Highly qualified personnel
- Strong collaborations
- Reliable partner

## OUR Values

- Business excellence
- Integrity
- Technical leadership
- Safety First
- Transparency
- Sustainability



[WWW.EZAR-LTD.COM](http://WWW.EZAR-LTD.COM)

# EZAR Today

WWW.EZAR-LTD.COM

## EZAR Mission

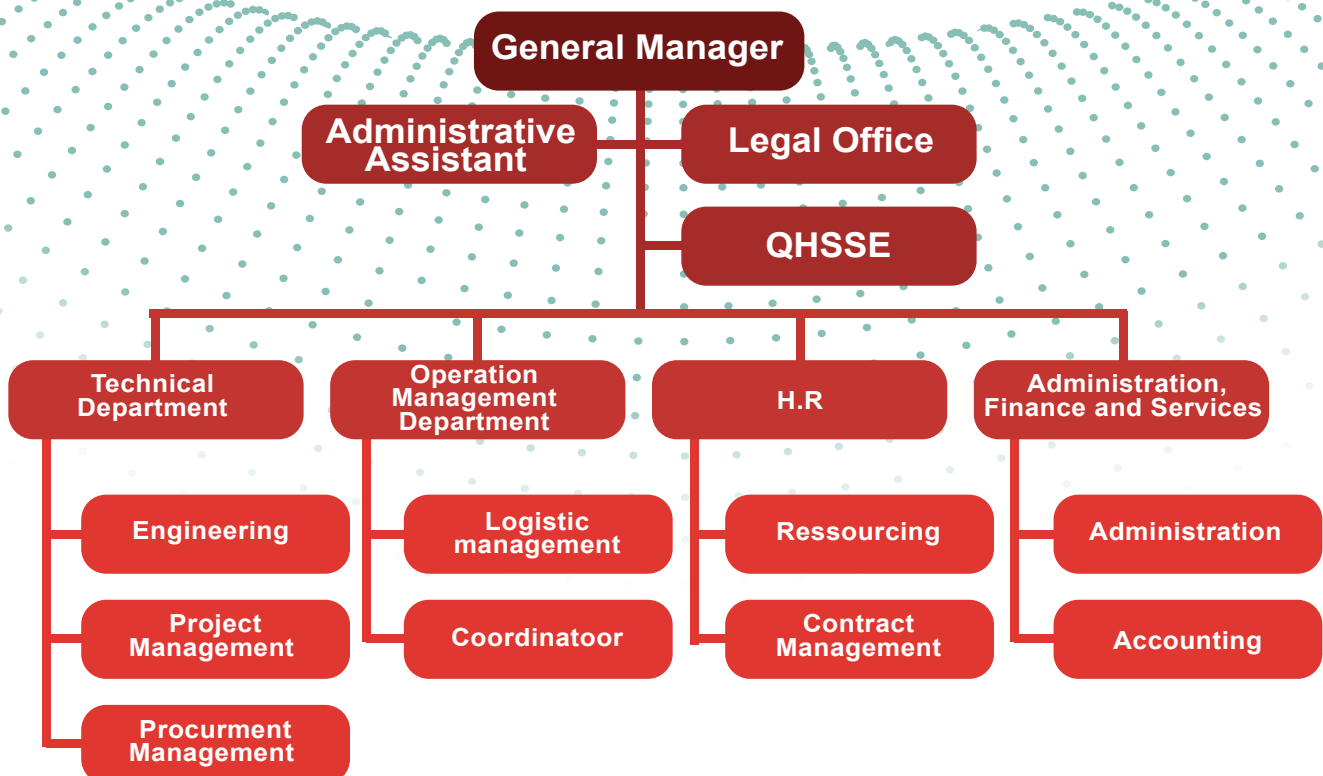
To assist EPC projects around the worldwide as well as emerging markets by using EZAR proper financement, human resources , Technical skills, construction background, experience in management and the deliverance of projects assistance adapted to our client's needs.



## EZAR Vision

To be the No.1 Cooperative company in engineering, general maintenance, premier facilities and infrastructure provider, admired by customers and employees for consistently delivering and rewarding excellence.

## ORGANIZATION Chart



# SCOPE of Services

## PROJECT MANAGEMENT SERVICES

Project management involves mobilizing a design and construction team to plan, control and implementation of all project's activities from conception to completion of construction. It also involves meeting client requirements related to the project's function, quality, schedule and budget.

**INCLUDE,** but are not limited to:

- Selecting Project Manager / Consultants.
- Conceptual studies and economic feasibility.
- Planning, scheduling, monitoring and controlling.
- Estimating, budgeting and cash control.
- Engineering and design.
- Arranging financing.
- Procurement.
- Risk management.
- Construction management.
- Commissioning.
- Quality assurance.



[WWW.EZAR-LTD.COM](http://WWW.EZAR-LTD.COM)

**EZAR's** process combines between a set of technical criteria and managerial skills





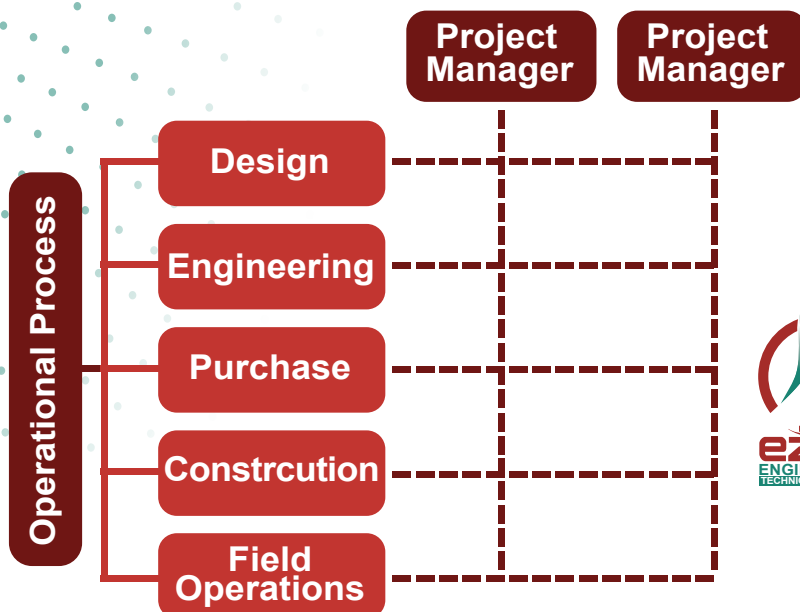
## PERFORMANCE EVALUATION

**EZAR** established a formal performance review and evaluation process, using value-based criteria and KPI which can be set during the project, or undertaken at project completion. This will be used for future reference in selection process and help us to maintain / improve the quality of our services.

## PROJECT Management KPIs

- Adherence to budget and schedule
- Communication
- Ability to work with the client's staff
- Cost estimating accuracy
- Innovation
- Presentation skills
- Suitability & quality of end products

## OPERATIONAL Organization Chart



## SPECIAL RESOURCING for project management

To provide the expected services appropriate to a specific project, **EZAR** pay a particular attention in selection process regarding the involved personnel.

The most important is the selection of adequate project management team.

As we are convinced that different kinds of projects call for different styles of profile.

**EZAR's** selection process combines between a set of Technical experience criteria and Managerial skills.

At this stage, it's often the case to choose people of sufficient seniority within our organization, however, when it's necessary **EZAR** don't hesitate to call for external consultant from its extensive and varied list of high qualified manpower.



# Scope of Services

## ENGINEERING SERVICES

Clients may either retain comprehensive engineering services from a project's start to finish, or develop a work plan for contracting out specific phases of the project to various parties.

Whatever the scope of work, EZAR is flexible and capable to deal with.

Awesome!!

EXCELLENT

GOOD

AVERAGE

POOR



## CONCEPTUAL Engineering Design

The conceptual design is a priority phase of engineering design development in which we identify the technical and economic feasibility of the project, and how we can set the course for the development of basic and detailed engineering.

### Those services include, but are not limited to:

- Overall project definition
- Study of Civil Based Structure
- Study of process and utility scheme options
- Preliminary Process Flow Diagram (PFD)
- Overall Heat and Material Balance (HMB)
- List of all the required offsite and utilities
- Risk Analysis
- Order of Magnitude Cost

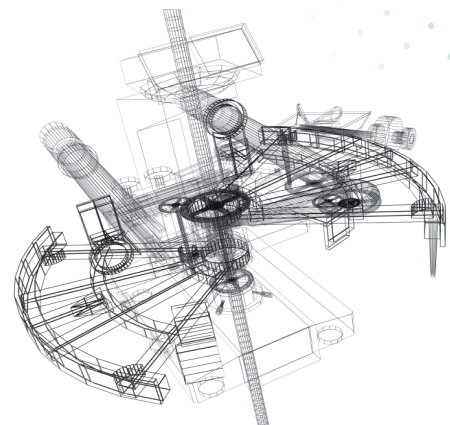


## Basic Engineering Design

The basic engineering services offered by **EZAR** is the core documentation of projects, including process flow diagrams, heat & mass balances, piping and instrumentation diagrams (P&IDs), control & operational philosophy, basic equipment sizing, equipment specifications, conceptual equipment layout, etc.

### The basic engineering cover:

- Conceptual process studie
- Preliminary plot plan
- Mechanical equipment specification
- Piping design specification and arrangement drawing
- E&I specification & guide drawings
- Civil specifications & guide drawings
- Specification of scope of construction by discipline
- Detailed layouts





## FEED & ITB Preparation

This phase is typically based on the conceptual design and focuses the technical requirements as well as rough investment cost for the project.

### It includes:

- Engineering design data.
- Project Specifications.
- Feasibility Study.
- Preparation of tender packages for the main equipment .

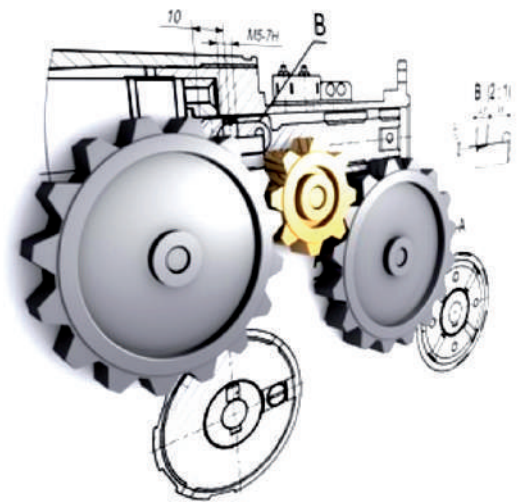


## DETAILED Engineering Design

Detailed design services include the preparation of engineering designs, drawings, specifications and contract documents.

### Those services include, but are not limited to:

- Preparing drawings, bill of quantities equipments and materiel specifications.
- Coordination between various design engineering discipline.
- Preparing calculations, note design drawings, specifications and tender documents.
- Collaborating for project cost estimation.
- Providing assistance and advice to the client, related to tender call.



## ENGINEERING Team

**EZAR** is continuously aiming to have the ability to adapt with their client requirements.

With this in mind, **EZAR** offer, in addition to its EPC services, a high skilled team.

We identifies the team requirements, in line with our clients' needs.

Applying appropriate screening and matching methods to ensure that only suitably qualified personnel are recommended with dependability and the suitability of Skills being key to operational continuity.

**EZAR** is a reliable partner that our client can rely on to respond to their needs and to deliver a quality of services.



# 2D/3D Design Software

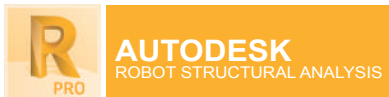
WWW.EZAR-LTD.COM

Visualizing your product is an important aspect in verifying the complete design intent. At **EZAR**, engineers are trained to create both simple and complex, fully rendered 3D models.

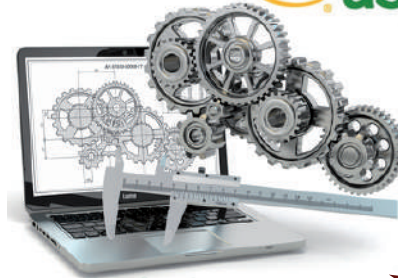
These models allow our client to provide more pointed feedback at an early stage in the design process and ensure that we deliver an outstanding end product.



## CALCULATION & ANALYSIS



## DESIGN & PROCESS DESIGN



**When you need experience  
Think about us**

# Scope of Services

## PROCUREMENT Services

Procurement is not only a part of all EPC projects, but it is also an integrated service into most oil and gas projects.

At **EZAR**, the process begins earlier within a close collaboration between engineering team and procurement specialists in order to keep projects in adherence to budget and schedule by securing the right materials and equipment at the most favorable price in due time.

### Procurement services covers:

- Float an enquiry specification / tender
- Bid clarification and evaluation
- Vendors prequalification, approval and monitoring
- Follow-up/expediting/Inspection
- Transport, logistics, warehousing and handling of backload
- Receipt of goods, invoice handling and reporting
- Framework agreements, procurement strategy, budget and planning.
- Commissioning



### TECHNICAL INTEGRITY And Timely Delivery

One of the greatest advantage of **EZAR's** internal organization is that our engineers and procurement specialists work closely and proactively together in order to ensure swift resolution of any technical queries and proper management of the logistics for items with long lead times.

This close cooperation positively affects the project as the communication paths are shortened.

**EZAR's** procurement team can rapidly and reliably develop a contractor and vendor list to meet specific project requirements.



## SUPPLY Chain Management

At **EZAR**, procurement team is responsible for administration of contracts from the request quotation to contract close-out. That include assisting with tenders and bid evaluation, supplier evaluation and selection, as well as carrying out audits. Moreover, the team handles follow-up/expediting/quay check, custom clearance, logistics, receipt of goods, payment of invoices and reporting. In this strategic sourcing solution, **EZAR** offers to provide all personnel, materials, equipment, consumables and facilities.

## Supplier Network

With the aim to provide the client with the best possible combination of quality, price and delivery time, **EZAR** develops and continually updates detailed files on the capabilities and capacities of a wide range of vendors and contractors throughout the world. We are constantly trying to increase our competitive strength by keeping in touch with key suppliers, up to date on pricing and remaining informed about technical trends in the industry.

Moreover, we are able to take advantage of the synergies that arise when purchasing for multiple clients increase the total procurement volume making us able to obtain bulk buying benefits.

### OUR Way

In general, we procure items according to the client's requirements and procedures. If there is no specific requirement, **EZAR's** internal procedure will be used with the objective to offer the client the best possible combination of quality, low costs and delivery time.

### OUR Commitment

We are committed to ethical procurement practices and maximizing value by considering cost, delivery, safety, quality, reliability and applicable laws and regulations.



# Scope of Services

## CONSTRUCTION Services

Our construction services ensure to the clients a competitive price, schedule accountability and long-term value.

In addition, we offer a single-source solutions and a commitment to meet each project's specific requirements.

**EZAR** agreement is tailored to Client's request.

### We can deliver construction services under a variety of contract models, including :

- Fabrication
- Construction
- Erection
- Construction Management
- Contractor-led EPCM with direct delivery
- Design and Construction
- Engineering of project management
- Engineering, Procurement and Construction (EPC)
- Engineering, Procurement and Construction Management (EPCM)
- Engineering Services
- Supply and construction

### CONSTRUCTION Capability

- Construction, Testing and commissioning for Oil & Gas Field facilities including pipelines, trunk lines, process piping and facilities
- Oil and Gas Processing plant
- Crude oil and products storage tanks
- Industrial plant

**FOR US, SUCCESS IS NOT AN EVENT  
BUT SIMPLY, A DAILY ROUTINE !**



## EZAR Pipeline Construction Work

- Pre-construction survey
- Clearing and grading
- Trenching
- Pipe stringing
- Welding and coating pipe
- Lowering pipe in and backfilling
- Hydrotest
- Restoration
- Others

## EZAR Storage Tank Construction Work

- Site preparation
- Foundation
- Design and construction
- Storage tank design engineering
- Fabrication
- Erection
- Hydrotest
- Piping
- Electrical & instrumentation
- Blasting & Painting



## OUR Way

Our operations people have the technical expertise to tackle complex challenges and to do so safely and efficiently.

**EZAR** can provide highly trained personnel for all activities related to construction services including teams for HSE and emergency management.

## OUR Philosophy

Our philosophy is to assume full operational responsibility, share our knowledge and work collaboratively with clients to deliver maximum availability and reliability, process integrity, increased safety and sustainability, and reduced life cycle cost and risk.

### Fire Fighting System for storage Tanks

**EZAR** coordinates with exclusive supplier in fire and safety that specialized in oil storage tanks and terminals, sells, services and maintains high-tech fixed foam fire and safety products.

### Heating Sys. & insulation for pipelines and vessels

**EZAR** can provide heat tracing solutions to the petroleum industry in the upstream, midstream and downstream components of oil and gas production, processing, storage, and distribution.

## EZAR'S KEY Benefits

- Lower risk of time and cost overruns through **EZAR's** proven processes, discipline and client engagement.
- Greater control and risk mitigation for clients through construction management services employing **EZAR's** own skilled and dedicated workforce.
- Engineers are involved in all facets of the project life cycle, from concept development through to operation.
- Knowledgeable, safety-aware and experienced resources can be accessed and available for deployment to client project locations in the shortest possible time.
- Tailored to clients specific requirements, through all aspects of design, construction, and construction management.



# Scope of Services

## MAINTENANCE Services

EZAR can work closely with clients to set performance targets and implement management and maintenance programs.

We work to optimize asset value and deliver improved maintenance processes and capability.

### Maintenance services include:

- Contractor management
- Engineering support
- Maintenance performance reporting
- Materials planning
- Outage/shut down and turn around management
- Planning, estimating and scheduling
- Procurement and logistics
- Repairs

### EZAR's Key Benefits

- Complete in-house commissioning capability committed to ensuring newly built assets and critical interfaces comply with the original design specification.
- Close relationships with our partners provide seamless knowledge transfer in delivering advanced technologies.
- Engineers are involved in all phases of the project life cycle, from concept development through to operation and maintenance.



## MAINTENANCE Works

Our support services facilitate preventative maintenance activities, major overhauls, modifications and heavy repairs.

### It covers, but not limited to:

- Maintenance/Repair and Revamping works for Oil & Gas Field facilities such as Stationary and Rotating equipment, Separators, Desalination plant, Boilers, Skimmers, Dehydrators, Scrubbers, Gas Boots and Production Tanks, assorted equipment, etc.
- Maintenance of crude oil storage tanks and various product storage and utility tanks.
- Activities include repair and replacement of tank appurtenances, bottom plate and roof plate, supply of foam dam seal plate and weather shield for floating roof tanks, etc, ...
- Maintenance / repair of oil and gas pipelines up to 42" inside diameter.
- Cleaning inspection of pipelines up to 42" inside.



**When you need experience  
Think about us**

# Scope of Services

## MANPOWER Supply Services

**EZAR** is continuously aiming to have the ability to adapt with their client requirements.

With this in mind, **EZAR** offers, in addition to its EPC services, a high skilled manpower supply.

With dependability and the suitability of Skilled Manpower Supply being key to operational continuity, **EZAR** is a reliable partner that our client can rely on to respond to their needs and to deliver a quality service.

### EZAR Selection Process

We identify the manpower requirements, in line with our clients' needs, applying appropriate screening and matching methods to ensure that only suitably qualified personnel are recommended, in a timely fashion.



FOR US, SUCCESS IS NOT AN EVENT  
BUT SIMPLY, A DAILY ROUTINE!

A/C Technician	Camp maintenance	Driver	H.E. Mechanic	Material Specialist	Safety Engineer
Accountant	Car Painter	Electrical Engineer	Head of Travel Department	Mechanical Engineer	Safety Officer
Administration Staff	Carpenter	Electrical Technician	HSE Drilling Advisor	Mechanical Specialist	Safety Specialist
Assistant Camp Boss	Civil Engineer	Environmental specialist	HSE Specialist	Painter	Skilled Labor
Auto Denter	Civil Inspector	Fire Alarm Technician	HSEMS Advisor	Photocopy Technician	Sr. Civil Inspector
Auto Electrician	CNC Operator	Fire Commander	HSEMS Coordinator	Pipefitter	Sr. Diesel Mechanic
Backhoe Operator	Comm. Technician	Fire Engineer	Instrument Inspector	Piping Engineer	Sr. Environmental Advisor
Boom truck Operator	Comm. Tower Rigger	Fire Safety Specialist	Instrument Technician	Piping Supervisor	Sr. Instrument Technician
Bus Driver	Corrosion Engineer	Fireman	Laborer	Plumber	Storekeeper
Cable shop Electrician	Crane Operator	Foreman Lineman	Land Surveyor	Project Engineer	Tank & Vessel Inspector
Cable Splicer	Diesel Mechanic	Foreman Welder	Lineman	Purchaser	Welders Plate & Pipe
Camp Boss	Document Controller	Gas Mechanic	Material Controller	Rotating Mechanic	Welding Foreman



# Our People

The key to EZAR's competitiveness are its employees, characterized by their professionalism, high technical qualifications, integrity and strong sense of collaboration.

## EMPLOYEES ARE EZAR's Most Valuable Resource

EZAR is strongly committed to ensuring the Health and Safety of its employees and external collaborators.

## Our Sustainability Platform

All actions taken to achieve Business Excellence in EZAR are bound to top quality services, environmental sustainability and occupational health and safety.



[WWW.EZAR-LTD.COM](http://WWW.EZAR-LTD.COM)

**EZAR pursues Business Excellence** with a sense of responsibility towards society, the environment and people creating value for customers and partners.

# EZAR in the World

**WE ARE LOOKING FORWARD TO THE FUTURE  
WHEREVER! WHENEVER!  
TOGETHER WITH YOU!**



For us, success is not an event.  
But simply, a daily routine.



Whatever your needs, whether a technical, process, material or manpower related; we are committed to support you with our expertise.

Our extensive network relationship, industrial and professional, enables us to access the right people at the right time to exactly deliver your requirement at cost-effective results.





# TECHNICAL SERVICES



**FOR US, SUCCESS IS NOT AN EVENT  
BUT SIMPLY, A DAILY ROUTINE !**

**ezar**  
ENGINEERING  
TECHNICAL SERVICES

Avenue de la liberté, rue Ahmed ALOULOU,  
Complexe IHSENE 3ème Etage - bur N° 304 - Sfax / Tunisie  
Tél .: +(216) 74 207 152 • Fax : +(216) 74 207 154  
Email : info@ezar-ltd.com • Site web : www.ezar-ltd.com